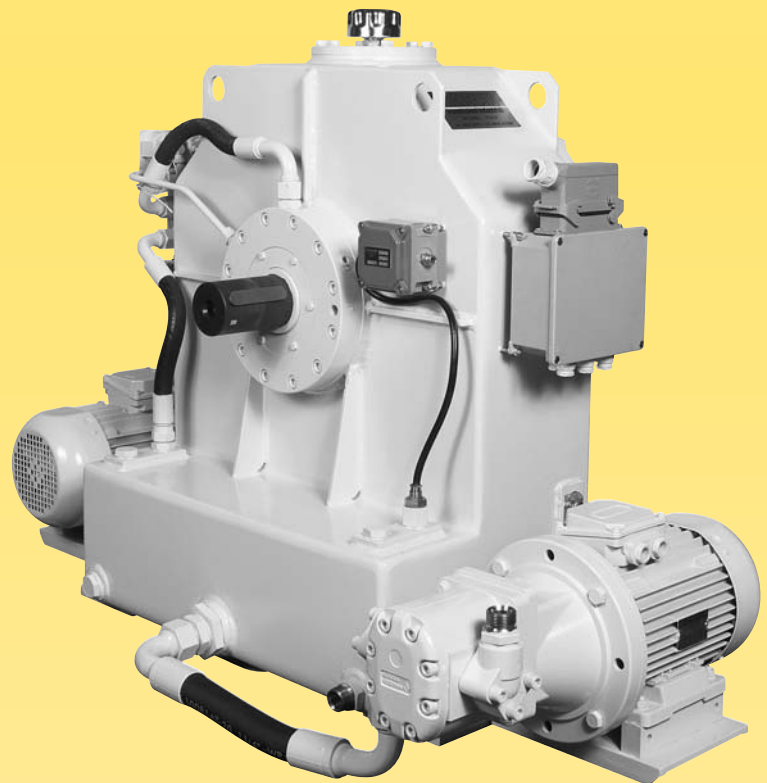


TRANSFLUID



TRANSFLUID

trasmissioni industriali



drive with us

KPT
VARIABLE FILL FLUID COUPLINGS

FLUID COUPLINGS KPT SERIES

DESCRIPTION

The **KPT** is a variable fill fluid coupling designed to be a start up drive or a variable speed drive.

The KPT has an externally driven oil feeding pump and a remote electrically operated ON-OFF valve. When the valve is turned ON, the fluid coupling circuit is fed, when it is turned OFF, rapid oil drain occurs through orifices located on the periphery of the coupling.

The forced bearing lubrication is continuously assured.

The KPT control is achieved by on/off solenoid valve modulation or oil flow control valve (4-20mA signal) to obtain more accurate start up control and/or speed variation.

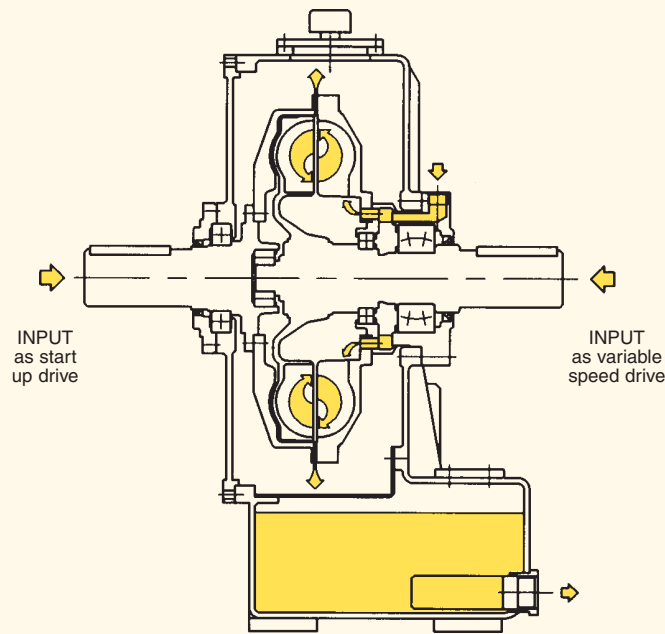
The KPT range is suitable for powers up to 1700 kW as start up drive and 500 kW as variable speed drive.

The input and output straight shafts can be connected to electric motor diesel/engine and driven machine by elastic and flexible couplings.

Standard accessories: oil motor pump, oil filter with pressure and temperature gauges, ON-OFF electric valve, oil temperature and pressure switches, oil level indicators, connecting wiring box with plug.

Optionals: oil flow control valve water or air heat exchanger, quick release valves, output pulley, flexible and elastic couplings, cardan shafts, electric control board.

WORKING SCHEME



rpm	SELECTION TABLE (kW)								
	15	17	19	21	24	27	29	Size	
1000	-	-	70	100	150	220	350		
1200	-	65	90	150	220	300	520		
1500	65	90	160	230	315	570	1000		
1800	85	155	275	400	545	1000	1700		
(1) 3000	315	560							
(1) 3600	450	600							

(1) High speed fluid couplings supplied upon request

FEATURES

The variable fill fluid coupling allows to disconnect the prime mover from the load, granting the following advantages:

- motor start up at no load
- smooth start up even possible under nominal motor current
- shock and overload protection
- torsional vibration dampening
- high radial load capacity (KPTe)
- no belt slip
- remote control
- load positioning
- cheap and easy maintenance due to external mounting of main accessories like oil filter, feeding pump, control valve
- longer life thanks to no friction linings to wear out
- accurate variable speed performances.
- special hazardous area design available upon request

APPLICATIONS

start up drive:

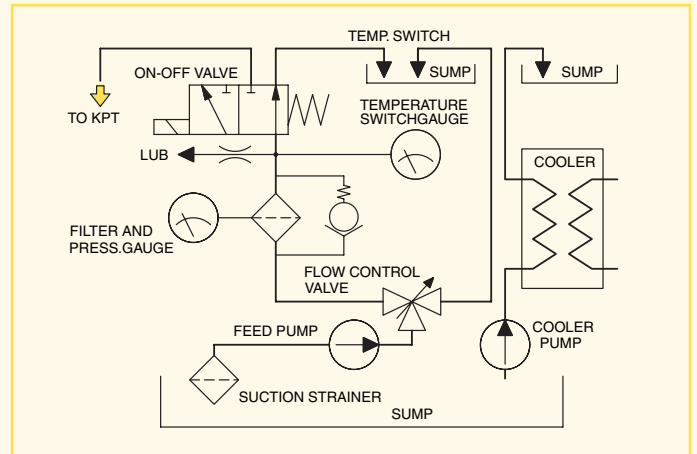
- mills, crushers, wood chippers, grinders
- belt conveyors
- reciprocating and centrifugal pumps, compressors
- marine propulsion
- generators
- centrifuges, fans and blowers
- mixers.

variable speed drives:

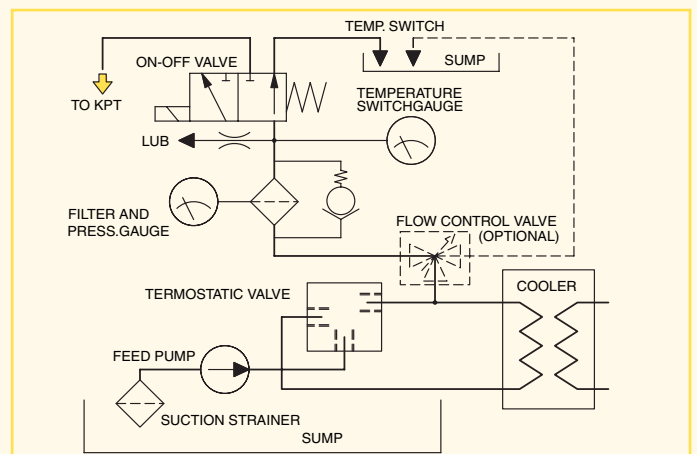
- centrifugal pumps and compressors
- fans and blowers.
- mills, belt conveyors (inspection speed)

HYDRAULIC CIRCUIT

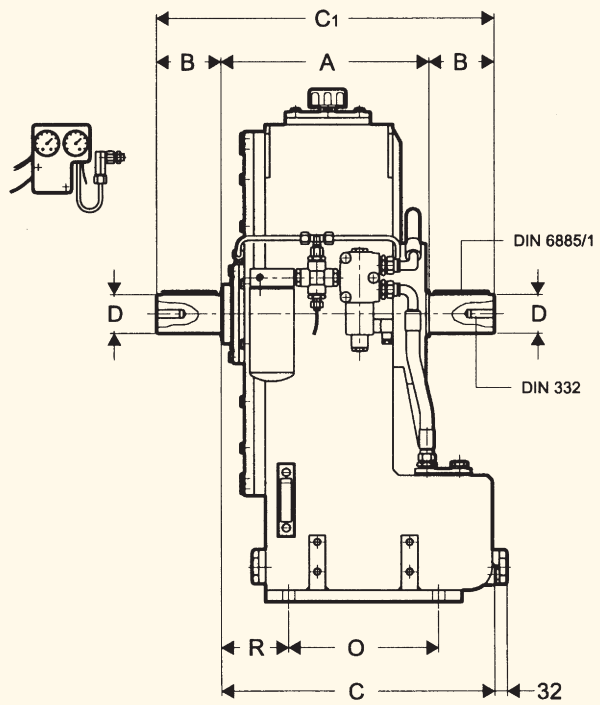
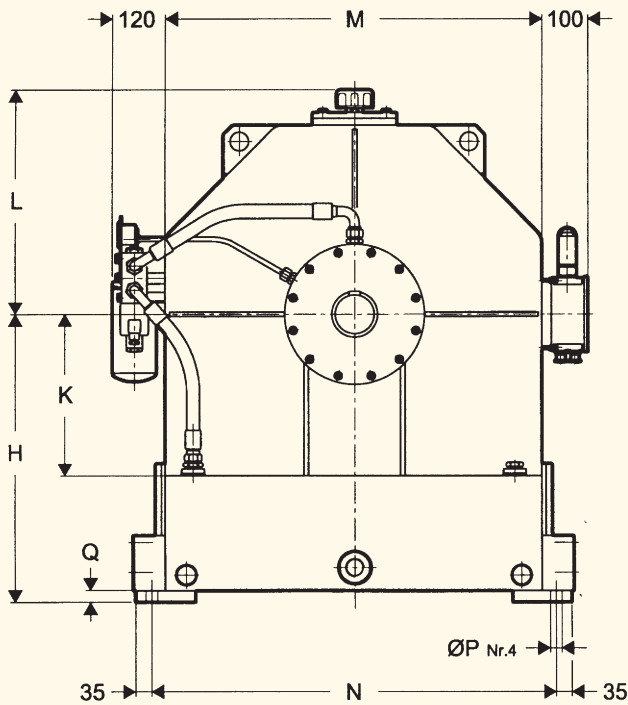
VARIABLE SPEED DRIVE



START UP DRIVE



KPTB



Size Dimensions

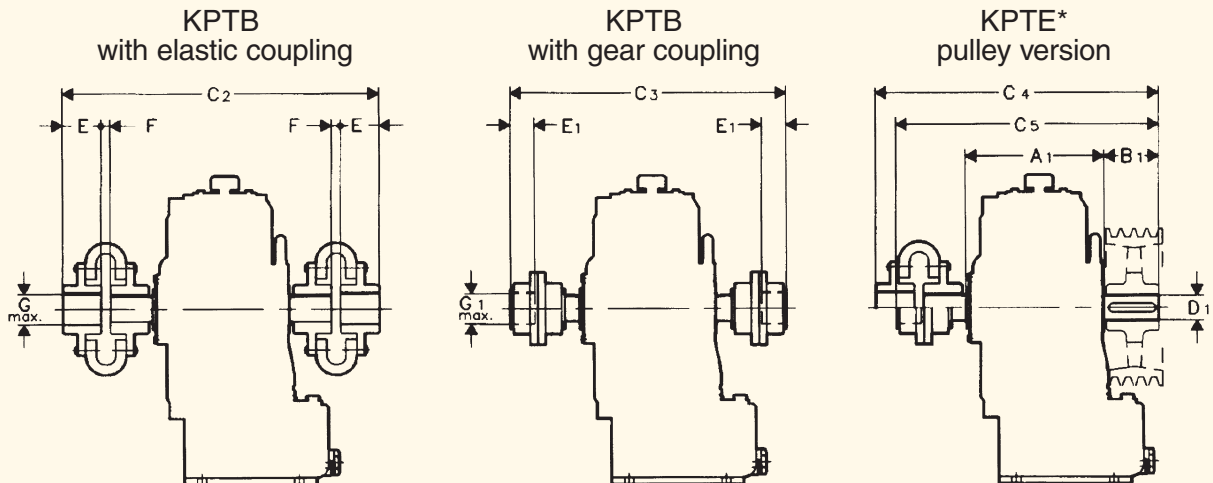
	A	A1	B	B1	C	C1	C2	C3	C4	C5	D	D1	E	E1	F	G
(1) 15	390	402	110	130	502	610	820	772	747	723	65	70	90	76	15	75
(1) 17/19	396	406	120	150	506	636	908	798	812	757	75	80	110	76	26	90
21/24	451	463/539	140	180	586	731	1027	921	931/1007	878/954	85	100	122	90	26	100
27	560	664	180	220	689	920	1262	1142	1135	1075	100	115	145	105	26	120
29	610	-	180	-	739	970	1352	1192	-	-	120	-	165	105	26	140

Size Dimensions

	G1	H	K	L	M	N	O	P	Q	R	Elastic coupling	Gear coupling	Weight (kg) w/o oil	Oil (lt)
(1) 15	85	520	282	420	670	730	280	22	20	137	MCF 58	2 1/2"	280	40
(1) 17/19	85	520	282	420	670	730	280	22	20	141	MCF 65	2 1/2"	300/305	40
21/24	100	625	350	487	820	880	325	26	25	146	MCF 66	3"	485/503	80
27	120	700	385	522	890	960	390	29	25	184	MCF 68	3 1/2"	800	115
29	120	750	435	562	970	1040	440	29	25	184	MCF 610	3 1/2"	1100	142

* For admissible radial loads refer to TF 6093-A.

(1) For high speed (3000-3600 r.p.m.) dimensions upon request.



EUROPE

AUSTRIA

ASC GMBH
4470 Enns

AUSTRIA (Diesel appl.)

EUGEN SCHMIDT UND CO
53842 Troisdorf

BELGIUM

ESCOPOWER N.V.
1831 Diegem

CZECK REPUBLIC

TESPO ENGINEERING s.r.o.
602 00 Brno

CZECK REPUBLIC (Diesel appl.)

EUGEN SCHMIDT UND CO.
53842 Troisdorf

DENMARK

JENS S. TRANSMISSIONER A/S
DK 2635 ISHØJ

DENMARK (Diesel appl.)

TRANSFLUID s.r.l.
21013 Gallarate (VA)

ENGLAND & IRELAND

MARINE AND INDUSTRIAL TRANS. LTD.
Queenborough Kent me11 5ee

FINLAND

OY JENS S. AB
02271 Espoo

FRANCE

▲ TRANSFLUID FRANCE s.a.r.l.
38500 Voiron
Tel.: +33.9.75635310
Fax: +33.4.76919242
tffrance@transfluid.it

GERMANY

EUGEN SCHMIDT UND CO
53842 Troisdorf

HOLLAND

AANDRIJF TECHNISCH BURO BV
5902 RB Venlo

HOLLAND (Diesel appl.)

ESCO AANDRIJVINGEN B.V.
2404 HM Alphen a/d Rijn

HUNGARY

AGISYS
2045 Torokbalint

NORWAY

TRANSFLUID s.r.l.
21013 Gallarate (VA)

POLAND

MOJ S.A.
40859 Katowice

PORTUGAL

REDVARIO LDA
2735-469 Cacem

RUSSIAN FEDERATION

▲ TRANSFLUID
Moscow Representative Office
Moscow
tfrussia@transfluid.it

SLOVAKIA

EUGEN SCHMIDT UND CO.
53842 Troisdorf

SLOVENIJA

NOVI STROJI
3210 Slovenske Konjice

SPAIN

TECNOTRANS BONFIGLIOLI S.A.
08040 Barcelona

SWEDEN

JENS S. TRANSMISSIONER AB
SE-601-19 Norrköping

SWEDEN (Diesel appl.)

M-TECH TRANSMISSIONS AB
SE-462 54 Vanersborg

SWITZERLAND

TRANSFLUID s.r.l.
21013 Gallarate (VA)

TURKEY

REMAS
81700 Tuzla Istanbul

OCEANIA

AUSTRALIA

CBC POWER TRANSMISSION
Kingsgrove NSW 2208

NEW ZEALAND

BLACKWOOD PAYKELS
Auckland

AMERICA

ARGENTINA

TRANSFLUID s.r.l.
21013 Gallarate (VA)

BRAZIL

PANA AMERICAN
05014-060 Sao Paulo

CHILE

SCEM LTDA
Santiago Do Chile

COLUMBIA

A.G.P. REPRESENTACIONES LTDA
77158 Bogotá

MEXICO

A.A.R.I., S.A. de C.V.
11500 Mexico df

PERU'

DEALER S.A.C.
Cercado, Arequipa

U.S.A. & CANADA

KRAFT POWER CORP.
Suwanee GA 30024

U.S.A. & CANADA & MEXICO

▲ TRANSFLUID LLC
tfusa@transfluid.it

AFRICA

ALGERIA - CAMEROUN - GUINEA - MAROCCO - MAURITANIA - SENEGAL - TUNISIA

TRANSFLUID FRANCE s.a.r.l.
38500 Voiron (France)
Tel.: +33.9.75635310
Fax: +33.4.76919242
tffrance@transfluid.it

EGYPT

INTERN.FOR TRADING & AGENCY (ITACO)
Nasr City (Cairo)

SOUTH AFRICA-SUB SAHARAN COUNTRIES

BEARING MAN LTD
Johannesburg

ASIA

ASIA South East

ATRAM TRANSMISSION PTE LTD
Singapore 608 579

CHINA

▲ TRANSFLUID BEIJING TRADE CO. LTD
Beijing
Tel.: 0086.10.62385128-9
Fax: 0086.10.62059138
tbtinfo@sina.com

INDIA

PROTOS ENGINEERING CO. PRIVATE LTD
600002 Tamilnadu Chennai

INDONESIA

PT. HIMALAYA EVEREST JAYA
Barat Jakarta 11710

IRAN

LEBON CO.
Tehran 15166

ISRAEL

ELRAM ENGINEERING &
ADVANCED TECHNOLOGIES 1992 LTD
Emek Hefer 38800

JAPAN

ASAHI SEIKO CO. LTD.
Osaka 593

KOREA

NARA CORPORATION
Pusan - South Korea

TAIWAN

FAIR POWER TECHNOLOGIES CO.LTD
105 Taipei

THAILAND

SYSTEM CORP. LTD.
Bangkok 10140

UAE - SAUDI ARABIA - KUWAIT - OMAN

BAHRAIN - YEMEN - QATAR
NICO INTERNATIONAL U.A.E.
Dubai

LOCAL DISTRIBUTOR

▲ TRANSFLUID SUBSIDIARIES