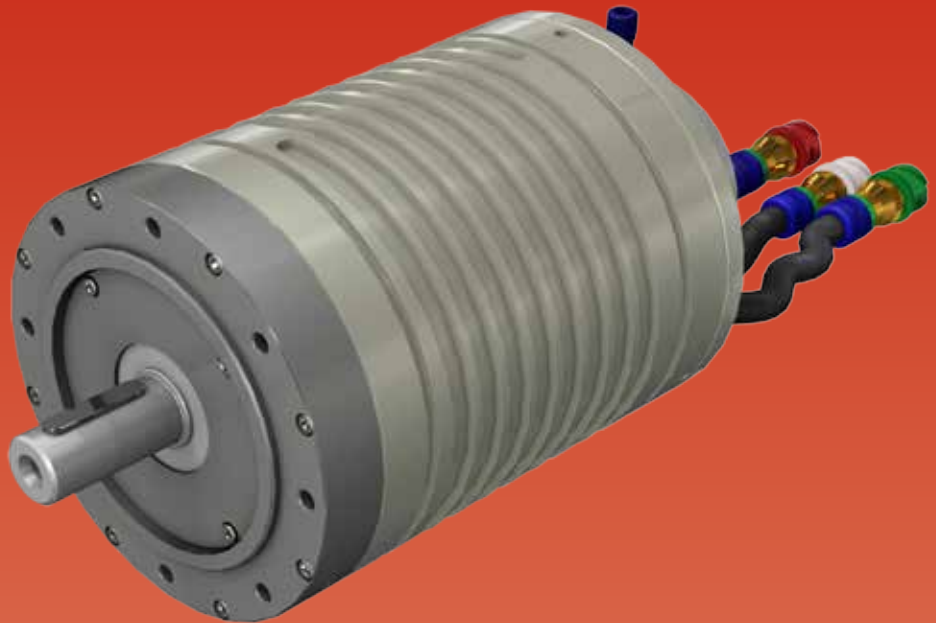


TRANSFLUID



TRANSFLUID

trasmissioni industriali



drive with us

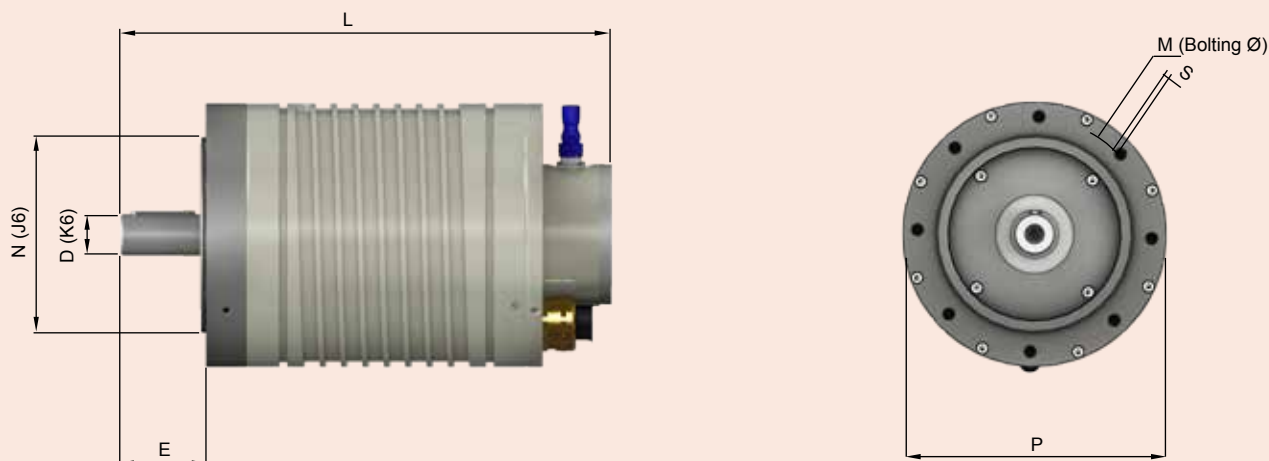
**ELECTRIC MACHINES
PERMANENT MAGNETS**

ELECTRIC MACHINES - PERMANENT MAGNETS

1. DESCRIPTION

TRANSFLUID manufactures for its hybrid modules three-phase, permanent magnet, synchronous electric machines (PMSM Permanent Magnet Synchronous Machine) with natural convection air cooling. This solution ensures high efficiency and simplicity with a limited weight and size. The electric machine PMSM is controlled

by a Motor Controller (Frequency Drive) that allows to work both as a motor and as a generator. The perfect integration of the range of electric machines with the controllers allows for a compact installation of the system, as well as makes management easy and effective during any operation stage.



Tab. PERFORMANCES

EM	MOTOR kW (hp) 3000 rpm	GENERATOR kW (hp) 3000 rpm	NOMINAL VOLTAGE Vrms	NOMINAL TORQUE Nm (lb-ft)	NOMINAL CURRENT A ~	BATTERY Vdc	MOTOR Adc	GENERATOR Adc
180 - 8	8 (11)	7 (10)	60	25 (18)	85	96	87	84
180 - 12	12 (16)	10 (14)	64	38 (28)	125	96	140	124
220 - 15	15 (20)	14 (19)	68	48 (35)	148	96	172	162
220 - 20	20 (27)	17 (23)	68	64 (47)	170	96	215	185
220 - 35	35 (48)	33 (45)	154	111 (82)	135	288	190	119
300 - 50	50 (68)	49 (67)	178	159 (117)	170	288	176	177
300 - 75	75 (100)	72 (98)	160	239 (176)	289	288	267	260
300 - 100	100 (136)	97 (132)	200	318 (235)	370	384	295	290

Tab. DIMENSIONS

EM	WEIGHT kg (lb)	D mm (inch)	E mm (inch)	L mm (inch)	M mm (inch)	N mm (inch)	P mm (inch)	S
180 - 8	25 (55)	28 (1.1)	60 (2.4)	368 (14.5)	165 (6.5)	130 (5.1)	205 (8.1)	4xM10
180 - 12	35 (76)	28 (1.1)	60 (2.4)	408 (16.1)	165 (6.5)	130 (5.1)	205 (8.1)	4xM10
220 - 15	45 (98)	38 (1.5)	80 (3.1)	417 (16.4)	215 (8.5)	180 (7.1)	205 (8.1)	8xM12
220 - 20	55 (120)	38 (1.5)	80 (3.1)	460 (18.1)	215 (8.5)	180 (7.1)	240 (9.4)	8xM12
220 - 35	80 (175)	38 (1.5)	80 (3.1)	543 (21.4)	215 (8.5)	180 (7.1)	240 (9.4)	8xM12
300 - 50	135 (295)	55 (2.2)	110 (4.3)	602 (23.7)	265 (10.4)	230 (9.1)	332 (13.1)	8xM12
300 - 75	185 (404)	55 (2.2)	110 (4.3)	702 (27.6)	265 (10.4)	230 (9.1)	332 (13.1)	8xM12
300 - 100	195 (425)	55 (2.2)	110 (4.3)	702 (27.6)	265 (10.4)	230 (9.1)	332 (13.1)	8xM12

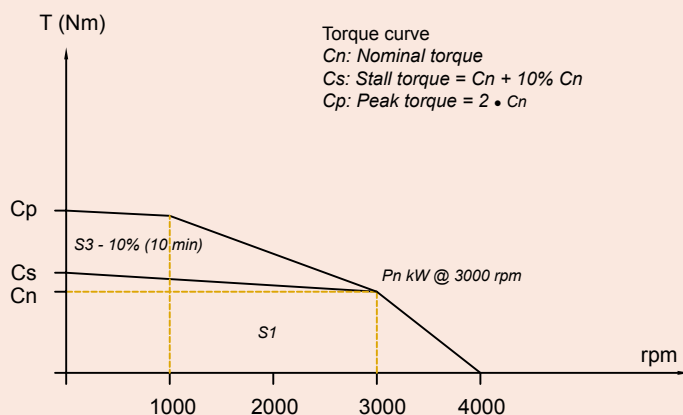
Standard protection IP65 on request

Special E.Machines upon request

2. CHARACTERISTIC

The structural characteristics of electric machines are optimized for specific use in hybrid systems up to 3000 rpm. The system is cooled by natural convection, air cooling making an easy on-board installation, permitting you to harness the power in a progressive manner for its whole range of revolution. The torque curve, which characterizes these types of motors at low speed can be three times the nominal rating which could be very useful for vehicle start up. In the range of medium speed, up to about 1500 rpm, the torque delivered could be as twice as much as the nominal rating for a limited time. In marine applications, this is very useful for low vessel speed maneuvering.

All electric machines are equipped with thermal sensor KTY 84-130 and can be equipped with sin/cos magnetic encoder, resolver 2 poles 7V 10kHz and incremental encoders from 500 to 4096 ppr.



(Indicative diagram, for reference only)

3. DEFINITION OF POWER RATINGS FOR NATURAL CONVECTION AIR-COOLED MACHINES

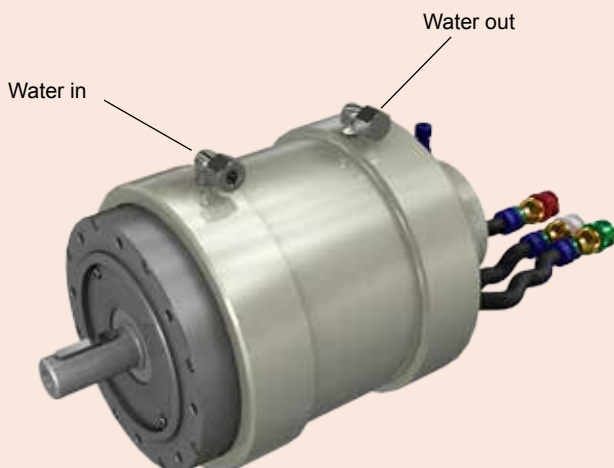
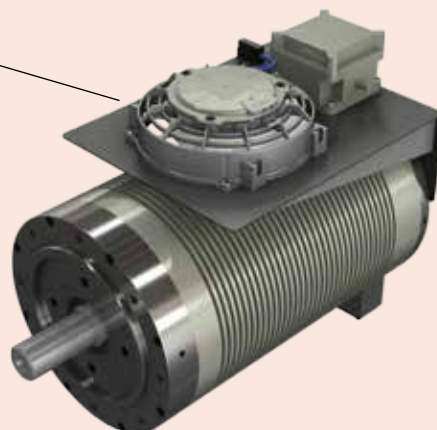
Rating power and torque listed in the performance table, are referred to continuous duty **S1** at rated speed and ambient temperature of 40°C at 1000m a.s.l.

If motors work at ambient temperature more than 40°C or at altitude above 1000 m a.s.l., then derating coefficients **K₁** and **K₂** should be applied (see table below).

Ambient temperature	40°C	45°C	50°C	55°C	60°C
Correction factor K ₁	1	1.06	1.13	1.22	1.34
Altitude a.m.s.l. up to	1000m	2000m	3000m	4000m	5000m
Correction factor K ₂	1	1.07	1.16	1.27	1.55

In case of high ambient temperature and in order to avoid electric machine derating, air-cooling kit is also available.

Blowing fan
12 Vdc or 24 Vdc



Depending on the installation condition a liquid cooled (fresh water - sea water) heat exchanger is also available to avoid electric machine derating.

Technical features, dimensions and any other data are not binding. Transfluid S.p.A. reserves the right to change them without notice

ELECTRIC PROPULSION SYSTEM

From 20 to 100 kW
with single, two and three speed transmission.
Industrial and marine applications



HYBRID MODULE

Combustion engine
Up to 1100 kW
and up to 200 kW electric
Industrial and marine applications



CHINA

TRANSFLUID BEIJING TRADE CO.
LTD Beijing
Ph.: +86.10.60442301-2
Fax: +86.10.60442305
tbtinfo@sina.com

GERMANY

TRANSFLUID GERMANY GmbH
D-48529 Nordhorn
Ph.: +349 5921 7288808
Fax: +349 5921 7288809
tfgermany@transfluid.it

U.S.A.

TRANSFLUID LLC
Auburn, GA 30011
Ph.: +1.770-822-1777
Fax: +1.770-822-1774
tfusa@transfluid.it

FRANCE

TRANSFLUID FRANCE s.a.r.l.
38110 Rochetoirin
Ph.: +33.9.75635310
Fax: +33.4.26007959
tffrance@transfluid.it

RUSSIA

TRANSFLUID OOO Moscow
Ph. +7.495.7782042
Mob.: +7.926.8167357
tfrussia@transfluid.it

LOCAL DISTRIBUTOR

Global webs site: www.transfluid.eu
E-commerce web site: www.buy-transfluid.com