



# TRANSFLUID<sup>®</sup>

**industrial & marine**

# TRANSFLUID



drive with us



**STELLADRIVE**

**MPD-MULTI PUMP DRIVE**

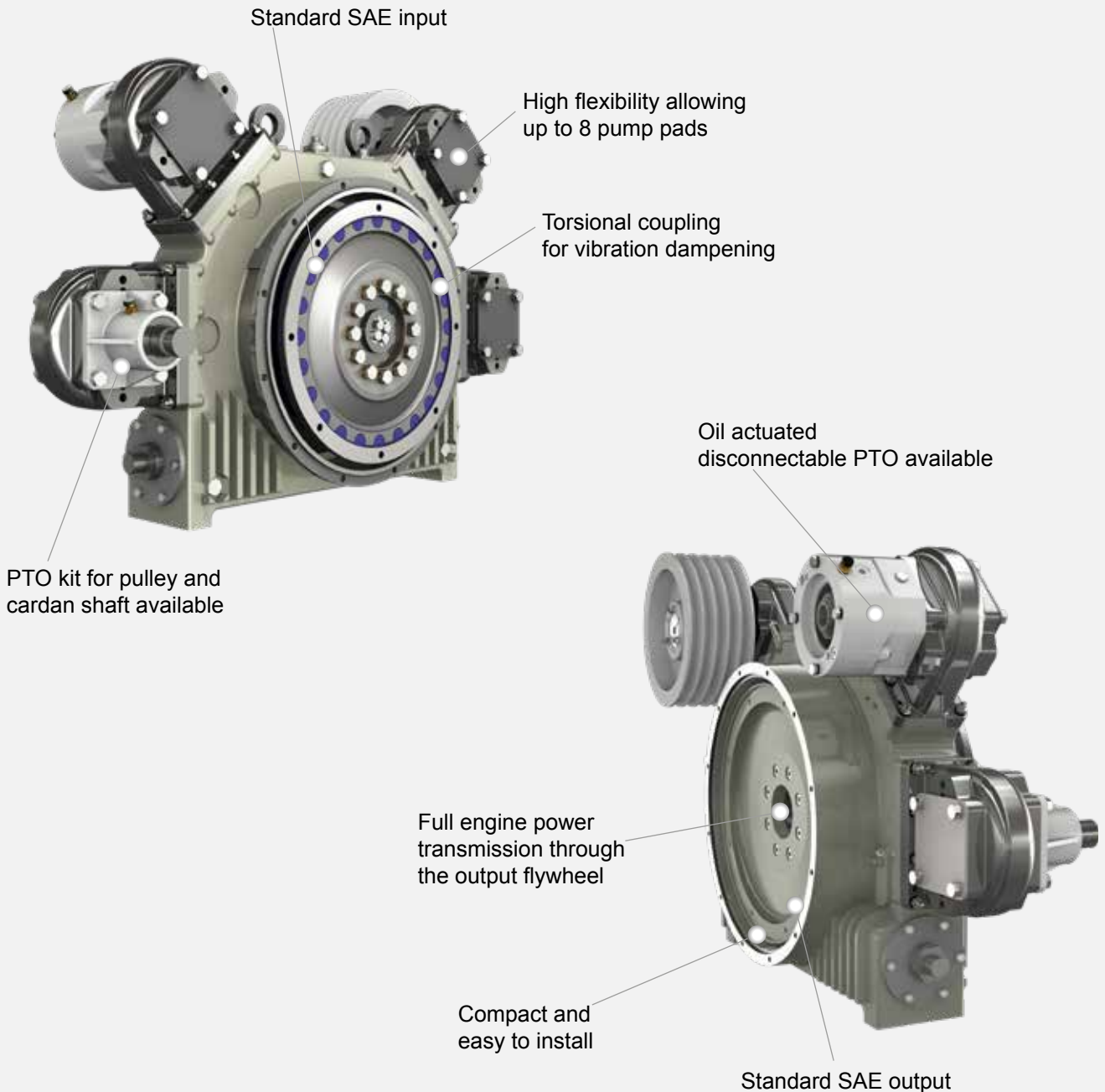
The MPD STELLADRIVE is an innovative module that fits between an engine and a transmission to drive a multiple hydraulic pumps or any other suitable implement.

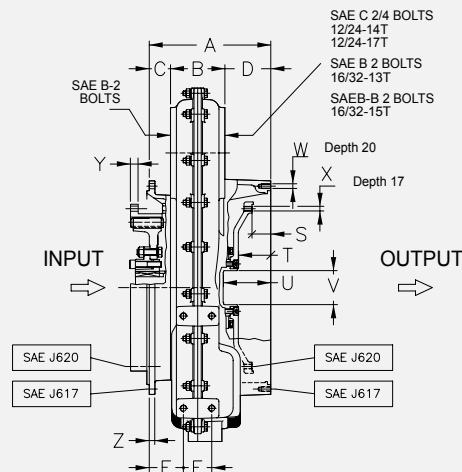
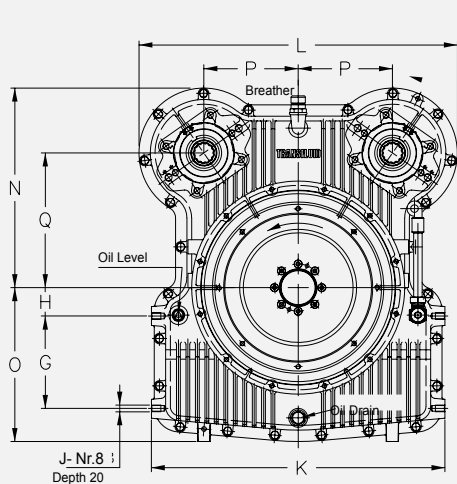
The MPD mounts directly to the engine SAE housing and flywheel and uses an integrated flexible coupling to dampen torsional vibrations and compensate for misalignment.

The output is a SAE dummy flywheel and housing that connects to any SAE driven equipment such as marine gears, PTOs like Transfluid's HFO/HFR (oil/air actuated PTO), KPTO (fluid coupling) and PF-PTO (PTO with RBD rubber coupling) or any other SAE transmission type.

The units are self-contained with their own lubrication circuit.

Foot mounted designs are available. In case of installation on the output side of devices having an elastic coupling, Transfluid requires full information about it in order to check the torsional compatibility of the system.





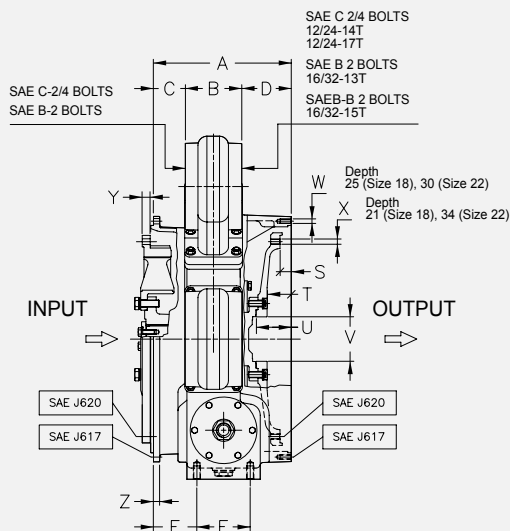
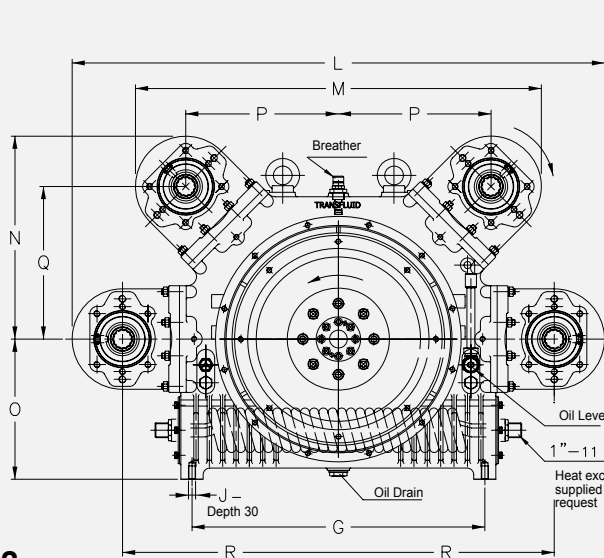
### MPD14

#### DIMENSIONS

Size	INPUT		OUTPUT		A	B	C	D	E	F	G	H	J	K	L	N	O	P	Q	S	T	U	V	W		X		Y	Z	
	SAE J617	SAE J620	SAE J617	SAE J620																				Ø	N°	Ø	N°			
14	3	11½"	3	11½"	257	115	45	97	72.5	60	195	60	M14	620	673	422	325	199.2	284.5	39.6	68.1	100	72	M10	12	M10	8	52	12	
	1	14"			282		70		97.5																					

#### TECHNICAL DATA

Size	Weight w/o oil kg	Oil Quantity l	Max speed rpm	Max Input torque Nm	Total Heads kW	Single Head kW	Ratio (n1:n2)
14	195	12.5	2600	2000	175	120	1:1



### MPD18-22

#### DIMENSIONS

Size	INPUT		OUTPUT		A	B	C	D	E	F	G	J	L	M	N	O	P	Q	R	S	T	U	V	W		X		Y	Z
	SAE J617	SAE J620	SAE J617	SAE J620																				Ø	N°	Ø	N°		
18	1	14"	1	14"	310	127	71.5	111.5	97.5	120	658	M16	1197	913	456.5	315	343	343	485.2	25.4	53.5	79	100	M10	12	M12	8	18	14
22	1	14"	0	18"	374		119	128	134	130	772	M18	1326	1004	502	415	388.7	388.7	549.7	15.7	48.2	81	150	M12	16	M16	6	85	15
	0	18"			363	108																						18	20

#### TECHNICAL DATA

Size	Weight w/o oil kg*	Oil Quantity l	Max speed rpm	Max Input torque Nm	Total Heads kW**	Single Head kW**	Ratio (n1:n2)
18	350	18	2200	3350	300	120	1 : 1 - 1 : 1.14
22	530	35	2100	6300	400	175	1 : 1.05 - 1 : 1.19

\* deduct 20 kg for each head

\*\* @ max. speed

\*\*\* not SAE standard

Dimensions are subject to alteration without notice

**SPD - DUAL PUMP DRIVE**

The SPD is an innovative modular split power drive designed to be mounted on industrial engines with SAE flywheels and housings.

The input is a rugged Rubber Block Drive flywheel coupling. This elastic coupling absorbs radial and angular misalignments as well as dampens torsional vibrations.

The SPD output is a dual pad SAE A or B pump tower as well as SAE flywheel and flywheel housing.

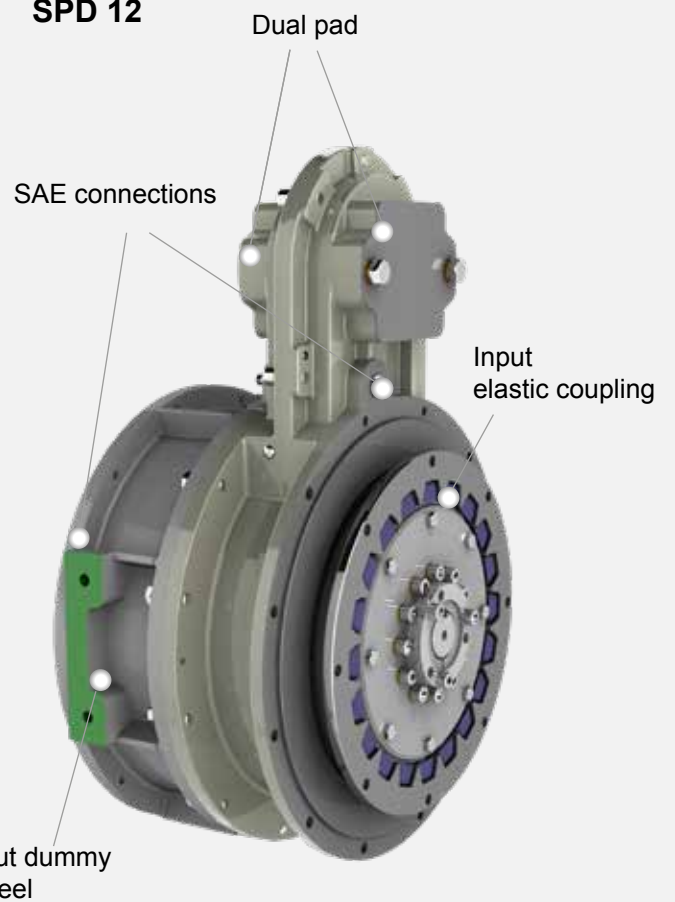
To allow for easy installation the pump tower can be mounted in 12 possible positions over 360 degrees.

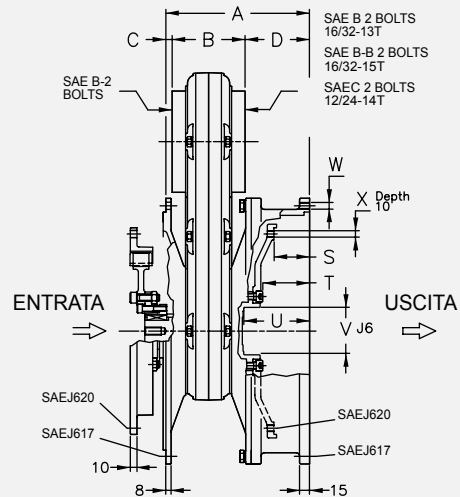
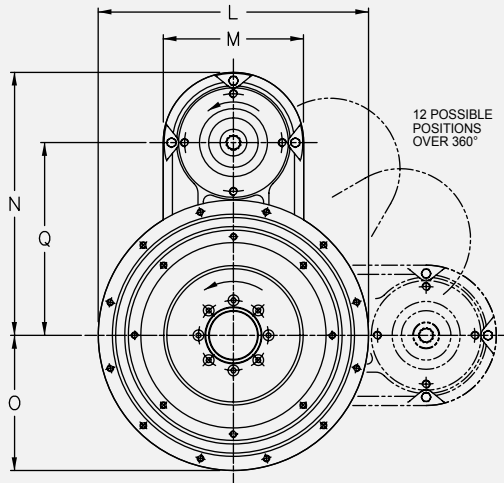
The output flywheel can accept transmissions, pumps, compressors and PTO's.

**SPD 11**



**SPD 12**

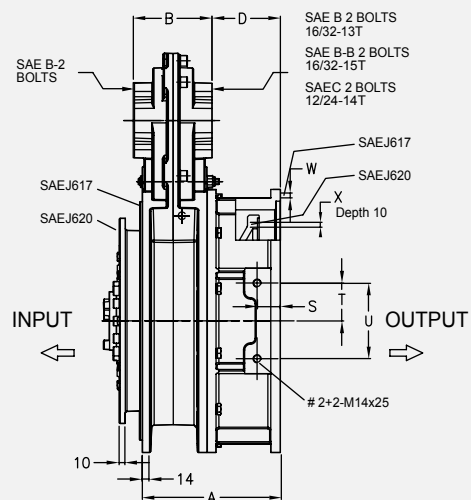
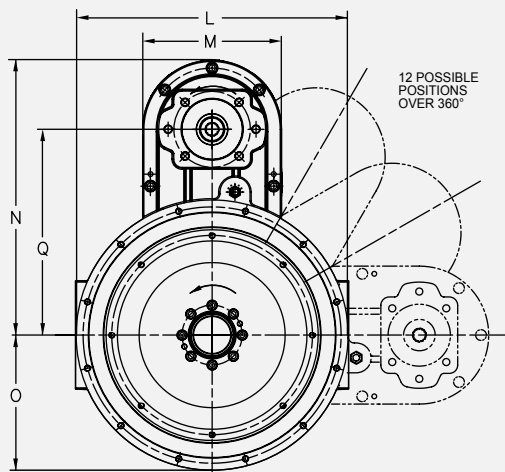




### SPD 11

DIMENSIONS																		
Size	INPUT		OUTPUT		A	B	C	D	L			M	N	O			Q	S
	SAE J617	SAE J620	SAE J617	SAE J620					SAE 3	SAE 4	SAE 5			SAE 3	SAE 4	SAE 5		
11	3 4 5	11½ 10" 7½	4	10	218.5	111	9.5	98	451	404	356	210	393	225.5	202	178	288	53.8

DIMENSIONS								TECHNICAL DATA							
Size	T	U	V	W		Y		Weight kg	Max speed rpm	Max input torque Nm			Head kW*	Ratios (n1:n2)	
				Ø	N°	Ø	N°			SAE 3	SAE 4	SAE 5			
11	71	100	72	M10	12	M10	8	50	3000	560	560	310	53	1 : 1	



### SPD 12

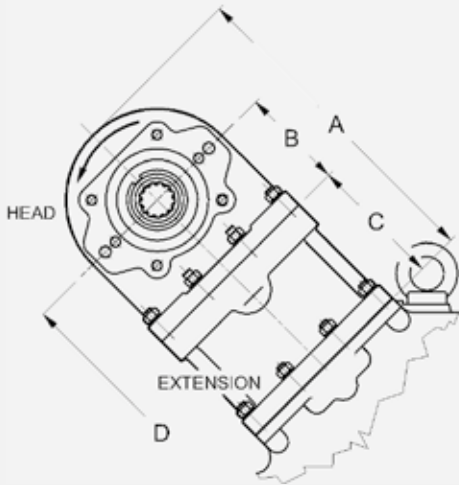
DIMENSIONS																		
Size	INPUT		OUTPUT		A	B	D	L	M	N	O	Q	S	T	U	W		
	SAE J617	SAE J620	SAE J617	SAE J620												Ø	N°	
12	3 4	11½ 10"	3 4	11½ 10"	237 247	134	117 127	454	231	460	226	344	40 50	65	130	M10	12	

TECHNICAL DATA								
Size	X		Weight kg	Max speed rpm	Max input torque Nm		Head kW*	Ratios (n1:n2)
	Ø	N°			SAE 3	SAE 4		
12	M10	8	73	3000	860	560	120	1 : 1.077

\* @ 3000 rpm

Dimensions are subject to alteration without notice

**Head extension for MPD18 and 22 only**



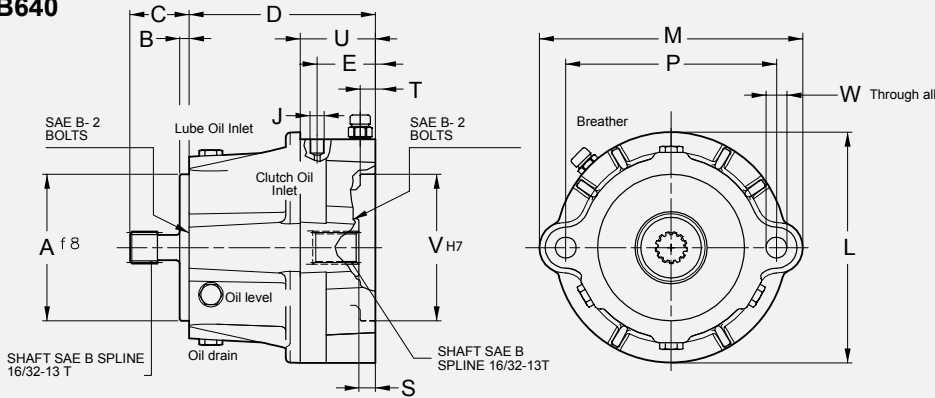
DIMENSIONS				
	A	B	C	D*
<b>MPD18</b>	405	128	164	649
<b>MPD22</b>	431	128	190	740

\*from main shaft axis

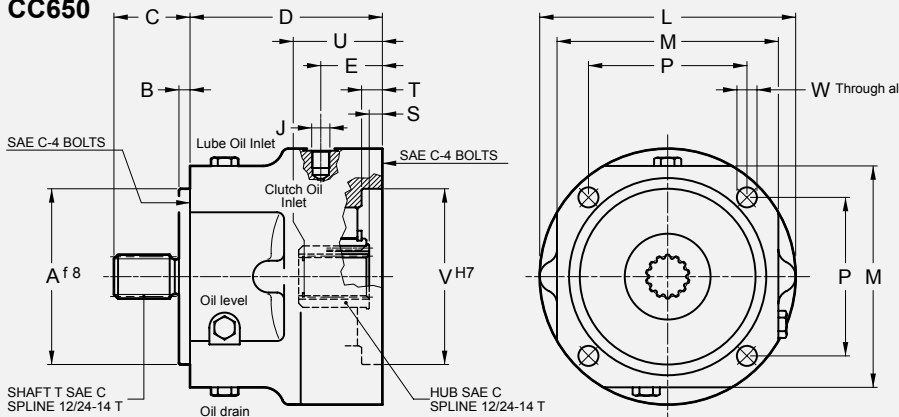
When there is interference between the pumps mounted on the MPD and the driven device, the head extension kit is the perfect solution. This kit mounts on any head and provides an extra 164 mm of clearance for MPD18 and 190 mm for MPD22. Additionally, the extension kit reverses the rotation of MPD head making it useful where engine rotation is required.

**Air/oil actuated clutches for pump disconnection**

**BB640**



**CC650**



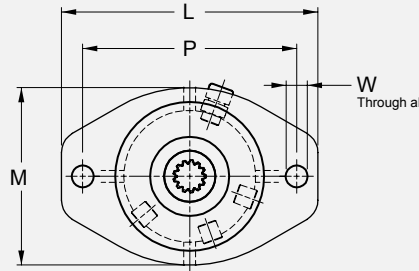
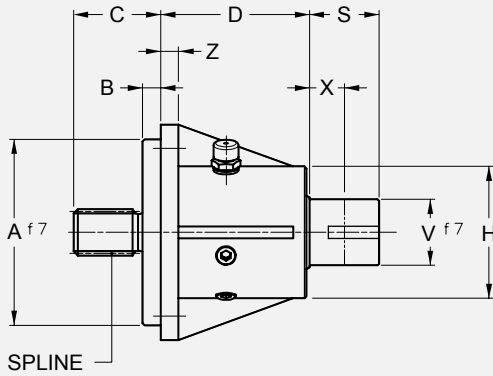
<b>BB640</b>	<b>Working pressure bar</b>	5	7	9
	<b>Max torque Nm</b>	140	195	250
<b>CC650</b>	<b>Working pressure bar</b>	5	7	9
	<b>Max torque Nm</b>	280	390	500

Size	DIMENSIONS														TECHNICAL DATA				
	A	B	C	D	E	J	L	M	P	S	T	U	V	W		Max torque Nm	Max pressure bar	Weight w/o oil kg	Oil Quantity l
	Dia.	N°																	
<b>BB640</b>	101.6	6.5	41	129	41.5	1/8" BSP	168	190	146	11.5	10.5	52	101.6	14.5	2	340	12	15	1.6
<b>CC650</b>	127	8	55	139	44.5	1/4" BSP	185	160	114.5	9.5	15	56.5	127	14.5	4	830	15	16.5	1.8

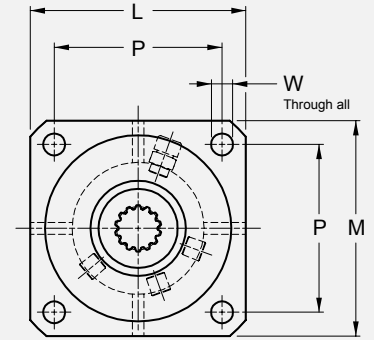
Dimensions are subject to alteration without notice

**Head PTO for in-line and pulley mounting**

TECHNICAL DATA					
PTO	Max speed rpm	Max torque Nm	Max side Load N with X=24	Weight w/o oil kg	Oil Quantity l
SAE B	3000	140	3000	6	0.05
SAE C	3000	500	7200	7	0.05



**SAE B - 2 HOLES**



**SAE C - 4 HOLES**

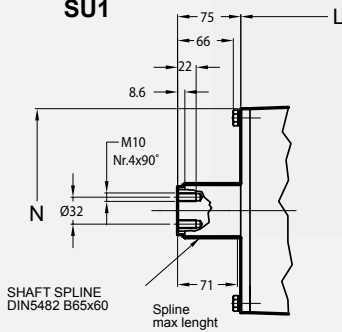
DIMENSIONS														
PTO	SPLINE SAE J744	A	B	C	D	H	L	M	P	S	V	W		Z
												Dia.	N°	
SAE B	13T 16/32	101.6	9	41	101.5	90	175	121	146	47.5	45	15	2	12
SAE C	14T 12/24	127	12.5	55	101.5	90	147	147	114.5	47.5	45	15	4	12

**SU free standing**  
 (without pilot bearing)

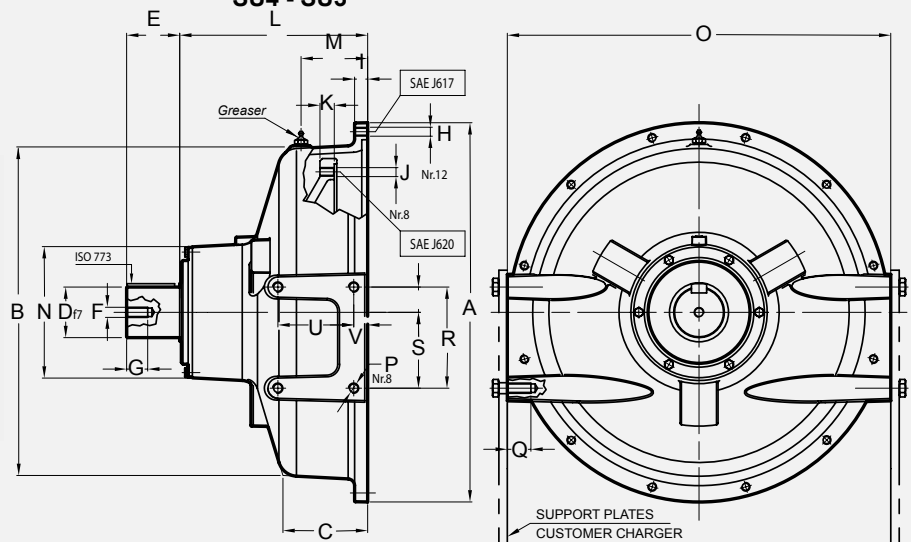
TECHNICAL DATA	
Size	Max input torque Nm
SU1	2500
SU2	2000
SU3	800



**SU1**



**SU4 - SU3**



DIMENSIONS																											
Size	SAE J617	SAE J620	A	B	C	D	E	F	G	H	I	J	K	L	M	N	O	P	Q	R	S	T	U	V	kg		
SU4	4	10"	403	350	105	42	48	M12	25	M10	15	M10	-	201.5	-	138	405	M10	28	105	80	25	85	15	35		
SU3	3	11½"	450	390	100	60	63	M12	25	M10	15.5	M10	78	223	78	156	455	M12	28	120	90	30	90	16.5	52		
SU1	1	14"	552	500	143	See drawing				M10	23	M10	96	251	120	242	555	M16	35	240	120	120	130	25	115		

Dimensions are subject to alteration without notice

**MPD with HFO OIL ACTUATED PTO**



**SPD with HFR OIL/AIR ACTUATED PTO**



**MPD with KPTO VARIABLE FILL FLUID COUPLING**



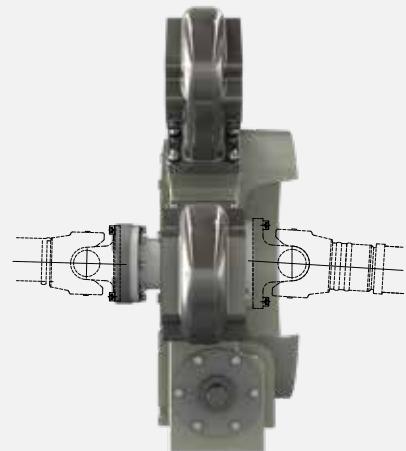
**MPD with RANGERMATIC POWER SHIFT TRANSMISSION**



**MPD with MARINE GEAR**



**MPD with INPUT and OUTPUT CARDAN SHAFT (FOOT MOUNTING)**



**CHINA**

TRANSFLUID BEIJING  
TRADE CO. LTD Beijing  
Ph.: +86.10.60442301-2  
tbtcinfo@transfluid.cn

**FRANCE**

TRANSFLUID FRANCE s.a.r.l.  
38110 Rochetoirin  
Ph.: +33.9.75635310  
tffrance@transfluid.eu

**NORTH EUROPE**

TRANSFLUID B.V.  
(Bellmarine)  
NL-3992 AK, Houten  
Ph. +31 (0)85 4868530  
info@bellmarine.nl

**U.K.**

TRANSFLUID UK LTD  
London  
Ph. +44.7445501066  
marine@transfluid.co.uk

**U.S.A**

TRANSFLUID LLC  
Auburn, GA 30011  
Ph.: +1.770.822.1777  
tfusa@transfluid.us

**Global web site:** [www.transfluid.eu](http://www.transfluid.eu) • **E-commerce:** [www.buy-transfluid.com](http://www.buy-transfluid.com)

**TRANSFLUID S.p.A** • Via Guido Rossa, 4 • 21013 Gallarate (VA) Italy • Ph. +39 0331 28421 • [info@transfluid.eu](mailto:info@transfluid.eu)